

**KOMMANDER™ — DODGE CHARGER™ GLOVE COMPARTMENT
INSTALLATION MANUAL**



1 REVISION

| Description | Author | Revision | Date |
|----------------------------|------------------|----------|-----------------------------|
| Initial publication | Éric Deschênes | 1.0 | October 3rd 2017 |
| Page setup | Stéphanie Legros | 1.1 | August 1 st 2019 |
| | | | |

2 COPYRIGHT

© Cyberkar® Systems, 2020

No part of the documentation materials accompanying this Cyberkar® Systems software product may be reproduced, transmitted, transcribed, stored in a retrieval system, sold, exploited commercially or translated into any language or computer language, in any form or by any means, including, but not limited to, electronic, magnetic, optical, chemical, manual, or otherwise without prior written permission of Cyberkar® Systems.

The contents of this documentation are protected by applicable copyright laws and will be distributed with a software that includes an end user license agreement.

The information contained herein is provided for informational purposes only and is subject to change without notice. Cyberkar® Systems assumes no responsibility or liability for any errors or inaccuracies that may appear in the informational content contained in this document.

Cyberkar® Systems, Cyberkar® and Kommander™ logos are trademarks of Cyberkar® Systems in the United States and Canada. Other trademarks used in this document may be trademarks of the manufacturers or vendors of the respective products.

Cyberkar® Systems

3026 rue Anderson, suite 202

Terrebonne, Québec, Canada

J6Y 1W1

Phone: 450-951-3080

Fax: 450-823-0192

<http://www.cyberkar.com>

3 CONTENTS

| | | |
|---|--------------------------------------|----|
| 1 | Revision | 2 |
| 2 | Copyright | 3 |
| 3 | Contents | 4 |
| 4 | Required Tools..... | 5 |
| 5 | Pieces included in the set | 6 |
| 6 | Preparing the installation | 7 |
| 7 | Glove Compartment Installation | 9 |
| 4 | Technical Assistance | 11 |

4 REQUIRED TOOLS

- Extraction tool

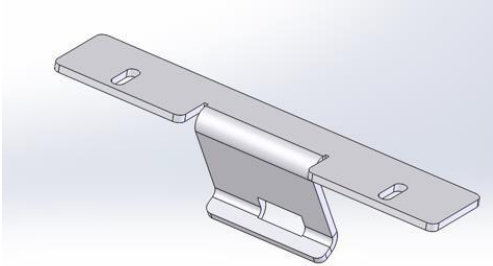


- Screwdriver with 7 mm hex socket



5 PIECES INCLUDED IN THE SET

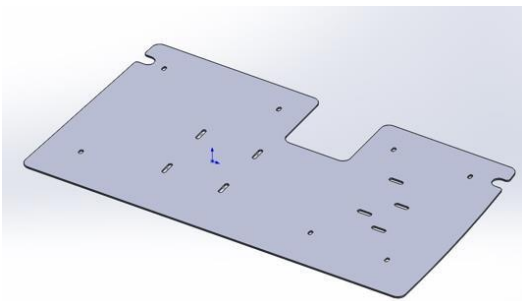
- Closure striker and cable retaining adapter



- Glove compartment door



- Equipment mounting plate (fixed to the door)



- Compartment retaining wire (2X)



6 PREPARING THE INSTALLATION

In order to proceed with the installation, some parts must be removed. The next steps will allow you to remove the required parts to prepare for the installation of your new glove compartment.

***** Keep all hardware removed as it will be reused for the installation of the new glove compartment. Pack and store the remaining hardware, it will be useful to replace the original glove compartment. *****

1. Remove the retaining cord to the right of the original glove compartment.



Original glove compartment retainer rope

2. Press the sides of the glove compartment inward to disengage the retaining stops and rotate it downward to remove it.



Glove compartment sides



Glove compartment removed

3. Remove the 2 clips on each side of the shelf in the glove compartment by using an extraction tool.



Clips removed from shelf

4. Remove the shelf inside the glove compartment.



Glove compartment with no shelves

5. Remove the original latch using a 7mm hex screwdriver.



Original latch removed

*** End of the vehicle preparation procedure ***

7 GLOVE COMPARTMENT INSTALLATION

The following steps will guide you through the installation of the new glove compartment in the vehicle.

1. Secure the new latch using the 2 centre screws, at the top of the compartment.



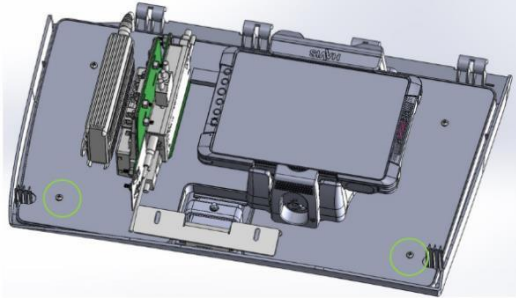
New latch attached

2. Install the new door by inserting its hinges into the pivot rods.



New glove compartment door

3. Secure the retaining cables between the 2 screws at the bottom of the plate toward the 2 screws at the top of the glove compartment.



Screw at bottom of the plate



Cables attached

***** Glove compartment installation procedure completed *****

4 TECHNICAL ASSISTANCE

Cyberkar® Systems

3026 rue Anderson, suite 202

Terrebonne, Québec, Canada

J6Y 1W1

Phone: 450-951-3080

Fax: 450-823-0192

<http://www.cyberkar.com>