

**KOMMANDER™ — UTILITY™ GLOVE COMPARTMENT
INSTALLATION MANUAL**



1 REVISION

Description	Author	Revision	Date
Initial publication	Éric Deschênes	1.0	October 3rd 2017
Page setup	Stéphanie Legros	1.1	August 1 st 2019

2 COPYRIGHT

© Cyberkar® Systems, 2020

No part of the documentation materials accompanying this Cyberkar® Systems software product may be reproduced, transmitted, transcribed, stored in a retrieval system, sold, exploited commercially or translated into any language or computer language, in any form or by any means, including, but not limited to, electronic, magnetic, optical, chemical, manual, or otherwise without prior written permission of Cyberkar® Systems.

The contents of this documentation are protected by applicable copyright laws and will be distributed with a software that includes an end user license agreement.

The information contained herein is provided for informational purposes only and is subject to change without notice. Cyberkar® Systems assumes no responsibility or liability for any errors or inaccuracies that may appear in the informational content contained in this document.

Cyberkar® Systems, Cyberkar® and Kommander™ logos are trademarks of Cyberkar® Systems in the United States and Canada. Other trademarks used in this document may be trademarks of the manufacturers or vendors of the respective products.

Cyberkar® Systems

3026 rue Anderson, suite 202

Terrebonne, Québec, Canada

J6Y 1W1

Phone: 450-951-3080

Fax: 450-823-0192

<http://www.cyberkar.com>

3 CONTENTS

1	Revision	2
2	Copyright	3
3	Contents	4
4	Required Tools.....	5
5	Pieces included in the set	6
6	Preparing the installation	7
7	Glove Compartment Installation.....	9
4	Technical Assistance	11

4 REQUIRED TOOLS

- Clamps

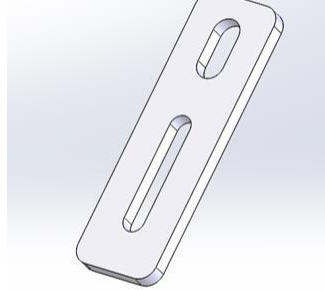
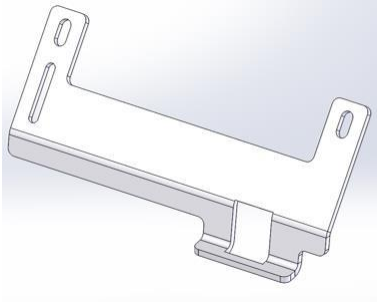


- Screwdriver with 7 mm hex socket



5 PIECES INCLUDED IN THE SET

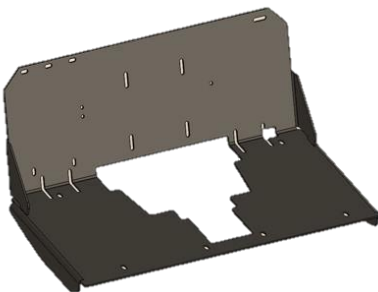
- Closure striker and cable retaining adapter



- Glove compartment door



- Equipment mounting plate (fixed to the door)



- Compartment retaining wire (2X)



6 PREPARING THE INSTALLATION

In order to proceed with the installation, some parts must be removed. The next steps will allow you to remove the required parts to prepare for the installation of your new glove compartment.

***** Keep all hardware removed as it will be reused for the installation of the new glove compartment. Pack and store the remaining hardware, it will be useful to replace the original glove compartment. *****

1. Remove the trim above and to the right of the glove compartment.



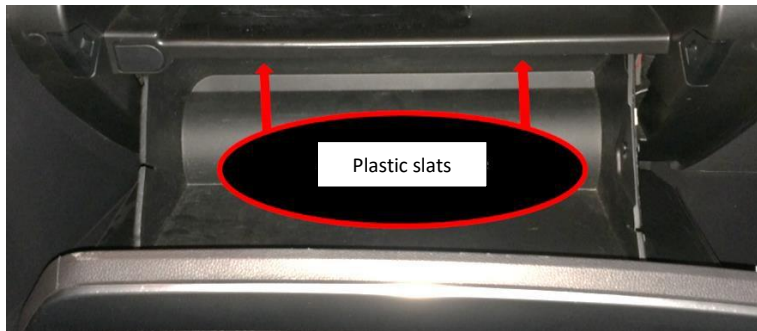
Trim

2. Close the glove compartment door. Under the latter are 2 white plastic pivots. Slide them into the door to remove them.



Pivot Removal

3. Re-open the door and press the 2 plastic slats holding the door stroke.



Plastic slats

4. Remove the original door.



Original door removal

*** End of the vehicle preparation procedure ***

7 GLOVE COMPARTMENT INSTALLATION

The following steps will guide you through the installation of the new glove compartment in the vehicle.

1. Install the compartment retaining striker by using 2 of the top screws, as shown in the photograph.



Top Screws

2. Install the left cable restraint bracket by attaching it to the leftmost top screw.



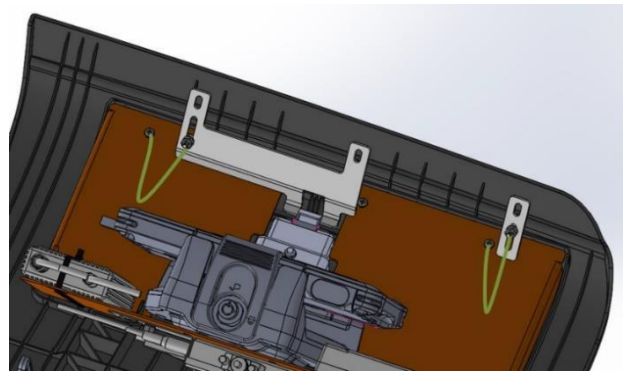
Cable retaining bracket installation

3. Reinstall the trim above and on the side of the glove compartment.

4. Install the new glove compartment door by reinserting the 2 previously removed hinge pins. Attach the retaining cables to the location shown in the drawing. Adjust the height of the cables so that once opened, the door is well supported by the 2 cables.



New Door Installation



Retaining cable attachment locations

*** Glove compartment installation procedure completed ***

4 TECHNICAL ASSISTANCE

Cyberkar® Systems

3026 rue Anderson, suite 202

Terrebonne, Québec, Canada

J6Y 1W1

Phone: 450-951-3080

Fax: 450-823-0192

<http://www.cyberkar.com>